

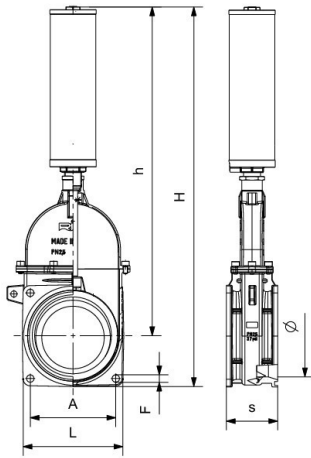


RIV 13

Two-flange piston gate valve
with double-acting pneumatic jack in brass
PPS system
with O-ring gaskets



Tech drawings and tables



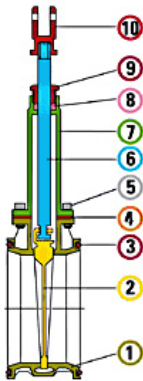
| DN | Code | Ø | H | h | S | L | F | A | PN | KG | P/box |
|----|--------------|-----|-----|-----|-----|-----|----|-----|------------------|--------|-------|
| 4" | 050013000016 | 91 | 531 | 441 | 97 | 180 | 13 | 150 | 3 bar - 45 psi | 9,642 | 1 |
| 5" | 050013000018 | 120 | 603 | 514 | 90 | 180 | 13 | 150 | 3 bar - 45 psi | 11,320 | 1 |
| 6" | 050013000019 | 143 | 663 | 574 | 90 | 180 | 13 | 150 | 2,5 bar - 37 psi | 12,154 | 1 |
| 8" | 050013000020 | 191 | 808 | 694 | 111 | 230 | 13 | 180 | 1,5 bar - 21 psi | 21,630 | 1 |

Advantages

Better tightness compared to other gate valves of the same type.
Anticorrosion stainless steel screws.
In accordance with 97/23/CE (PED) Directive.

Technical data

Art. 10



Materials

| | | | |
|----|--------------|-----------------|----------|
| 1 | Body | Brass | CB754S |
| 2 | Wedge | Brass | CB754S |
| 3 | O-Ring | NBR | |
| 4 | Gasket | Fibre | |
| 5 | Screw | Stainless Steel | AISI 304 |
| 6 | Stem | Brass | CW614N |
| 7 | Cap | Brass | CB754S |
| 8 | Tow packing | Fibre | |
| 9 | Stuffing-Box | Brass | CW614N |
| 10 | Fork | Brass | CW617N |

Connections ISO 228/1, NPT, Square flange

Limit -20°C (without liquid) +90°C

Notes The max. working pressure (PN) means at a room temperature of about 23°C.